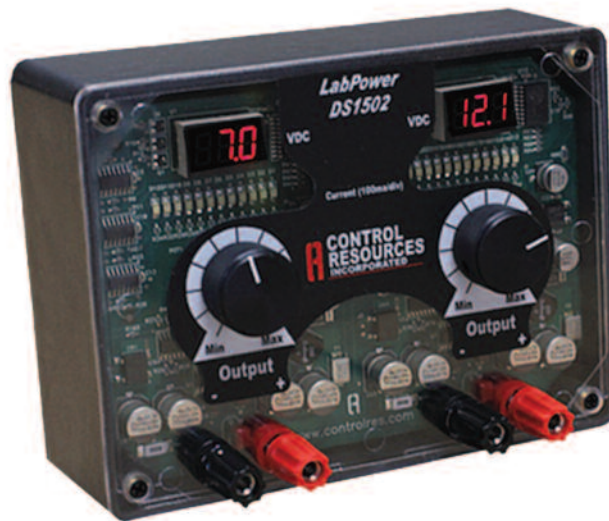


# LabPower™ DS1502

## Dual 15 Volt Benchtop Power Supply



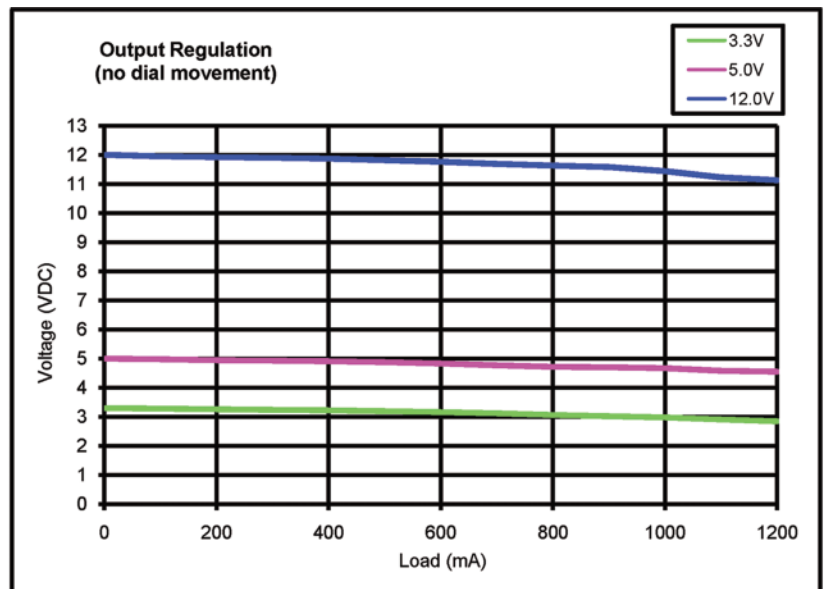
**LabPower DS1502** is a dual adjustable benchtop power supply designed for powering small digital and analog circuits. Its compact size takes very little valuable bench space and makes this benchtop DC power supply very portable. Both 15 volt power supplies are independent allowing +/- configurations as well as dual supply logic circuits. The outputs are fully protected from short circuit faults. The short circuit current is 1.6 amps and will shut down to 0 amps in approximately 15 seconds to prevent damage to external circuits. The output automatically recovers when the short is removed. The active current limiting will fold back the output voltage to prevent arcing and damage to external circuits when a short is applied. This dual variable benchtop power supply is ideal for test benches, laboratories, universities and repair facilities.

### SPECIFICATIONS

- Input: 115/230 VAC, 50/60 Hz
- Input fuse: 0.5 Amp time lag
- Output X 2: 0 - 15 VDC
  - 0 - 12 VDC @ 1000 mA typical
  - > 12 - 15 VDC @ 300 mA typical
- Terminals: Dual color-coded binding posts
- Meter: Dual digital VDC, 0.1 VDC resolution, 2% accuracy typical
- Current display: Dual 12 segment bargraph LED
- Size: 4.9"(124mm)H X 6.2"(157mm)W X 3.3"(84mm)D
- Operating temperature: -20°C to 40°C
- RoHS compliant
- Weight: 2.4 lbs (1.1 kg)
- Made in the USA
- Warranty: 2 years

### PART NUMBERING

Part Number	Input Power	Power Cord
DS1502A-F	115 VAC	US Style
DS1502B-F	230 VAC	UK Style
DS1502C-F	230 VAC	Cont. Europe Style



Lab Test  
Equipment

# LabPower DS1502 Dual 15 Volt Benchtop Power Supply

Dual adjustable benchtop power supply designed for powering small digital and analog circuits.

Control Resources' power supply design consulting engineers designed this dual adjustable power supply to provide accurate and stable DC power for test benches, laboratories, universities and repair facilities. The digital voltage meter and LED current display allow easy viewing of voltage and current outputs. This dual 15 Volt lab power supply also offers active current limiting and short circuit protection. LabPower benchtop DC power supplies are designed to provide years of service to circuit design consultant engineers and technicians in a wide range of applications.

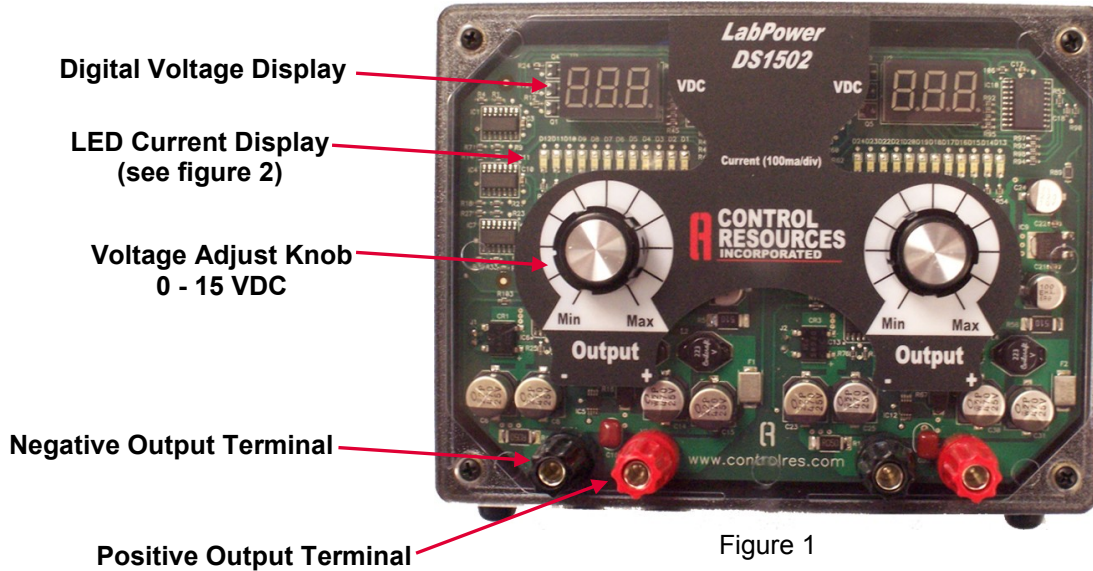


Figure 1

## LED Current Display

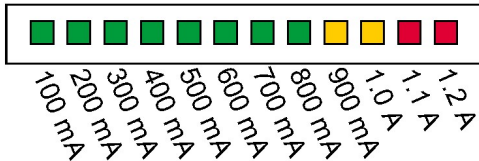


Figure 2

## Sample LabPower Application Configurations

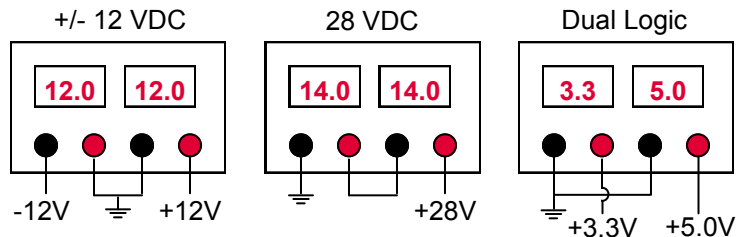


Figure 6

Figure 7

Figure 8

## LabPower Power Cord Options

LabPower P/N DS1502A-F  
With US Style Power Cord

Figure 3



LabPower P/N DS1502B-F  
With UK Style Power Cord

Figure 4



LabPower P/N DS1502C-F  
With Continental Europe  
Style Power Cord

Figure 5



## Power Module on rear of LabPower

Power On/Off  
Fuse 0.5 Amp 250 VAC  
IEC Power Input Socket

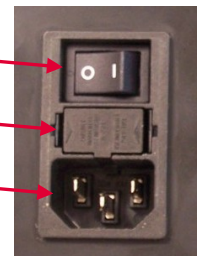


Figure 9

CRI's electronics design and manufacturing group used its power supply design consulting expertise to develop this dual 15V benchtop power supply. This DC power supply includes Microchip PIC microcontrollers programmed by our Microchip design consultant engineers. Contact us today to speak with a design engineer about a power supply designed for your requirements.